

## FlowFAST V

Vertical Laminar Airflow Cabinets

### **Labo Baza**

**nowoczesne wyposażenie laboratorium**

ul. Topolowa 5

62-002 Jelonek k/Poznań

tel.: 061 812 57 45

fax: 061 812 57 25

e-mail: [biuro@labobaza.pl](mailto:biuro@labobaza.pl)

**[www.labobaza.pl](http://www.labobaza.pl)**



**PROTECTION, SAFETY, RELIABILITY.  
AND MORE.**

## FlowFAST V

Vertical Laminar Flow Cabinets

### BEYOND MINIMUM SAFETY REQUIREMENT

**FlowFAST V Cabinets** are “ISO Class 3” vertical laminar flow cabinets which represent far more economical and valid alternatives to clean-rooms, as they are capable of providing uncontaminated, particle-free and sterile conditions for materials in the work-space. They guarantee and maintain excellent product protection factors by offering a positive pressure particle-free working area by virtue of the prefilter with a minimum efficiency of 80%-90% ASHRAE - and the HEPA filter with an efficiency better than 99,995 % MPPS (H14 - EN:1822).

The FlowFast V vertical laminar airflow cabinets have epoxy powder coated steel structures and an AISI 304L stainless steel working surface as standard.

Alternatively special models in negative pressure and fully made in AISI 304L stainless steel for superior cleanability are also available on demand.

### PRODUCT PROTECTION FROM AIRBORNE CONTAMINATION



## FlowFAST V

Vertical Laminar Flow Cabinets



## FlowFAST V

### THE USER-FRIENDLY PRACTICAL KEYBOARD

**Membrane keyboard front panel** with touch-sensitive buttons for:

- main On/Off switch
- light
- power socket
- night mode and UV lamp

It is fitted with digital display for indicating air velocity and the relevant alarms in case the cabinet is equipped with anemometer and automatic airflow control.

FlowFastV unit is supplied as standard without digital display and automatic air flow speed regulation.

### APPLICATIONS



**FlowFAST V LAF Cabinets** have been widely adopted in many sectors of industry and in science laboratories for use when handling no-risk cell cultures or non-pathogenic biological specimens when the aim is to provide a high degree of protection factor to the samples and the products on the worktop.

These cabinets are recommended for use in applications such as **Quality Control in the pharmaceutical and food - beverage industries, Cell culture, Sterile manipulation.**



# FlowFAST V

Vertical Laminar Flow Cabinets



## UV STERILIZING LAMP

Magnetic UV Sterilizing Lamp available as added option supplied with frontal aluminium night door panel with side hook for hanging.



## ANTI BACTERIAL COATING

Each FASTER cabinet is coated with exclusive **Dupont™ ALESTA®** anti-bacterial “Ag+cations-based solution”, capable to prevent microbial contamination of surfaces thereby inhibiting long term surface growth.

## SIDE WALL

Transparent side walls in safety glass. Servicing holes are positioned on the right and left side glasses for taps installation (available as an option).



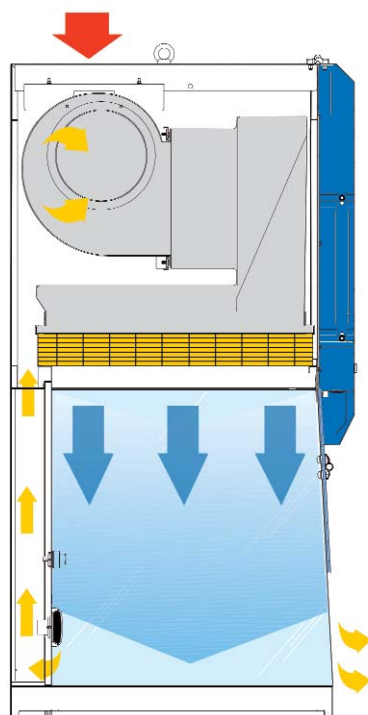
## STANDARD FITTINGS

One service connection for electrical power available as standard for model FlowFAST V 12 and two electrical sockets for the models FlowFAST V 15 and FlowFAST V 18.



## MAINTENANCE

Useful snap hinges keep in open position the frontal tempered glass increasing the height of the frontal opening. This solution allows the entrance of devices (such as microscopes) beneath laminar flow.



## OPERATIONAL PRINCIPLES

The environment air is drawn from the top of the cabinet via a pre-filter and then pulled downwards and filtered by virtue of H14 HEPA filter into the working area in vertical laminar air flow pattern. About half of the volume is exhausted outside into the environment and remaining volume is re-circulated by means of slots positioned at the bottom of the back panel.

## SUPERIOR FEATURES

Structure of the FlowFAST V model vertical LAF cabinets is in epoxy powder coated cold-rolled steel for excellent corrosion resistance to the attack by aggressive common chemicals. Alternatively special models made in AISI 304L stainless steel for superior cleanability are also available on demand.

Fixed AISI 304L stainless steel blind work surface in one piece.

## QUALITY ASSURANCE DEPARTMENT



AIR FLOW SPEED TEST



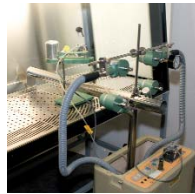
FILTER LEAKAGE TEST



NOISE LEVEL TEST



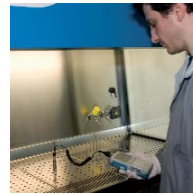
Vertical and horizontal laminar flow cabinets are tested in accordance to ISO 14644-1 and EN 61010:2001 Standards and released with FAT certificate of the tests performed.



KI DISCUSS TEST



LIGHTING TEST



VIBRATION TEST



ELECTRICAL TEST

## TECHNICAL SPECIFICATIONS

Description	Unit	FlowFAST V 12	FlowFAST V 15	FlowFAST V 18
Overall Dimensions WxHxD	mm	1332 780x1495	1637 780x1495	1942 780x1495
Usefull Dimensions WxHxD	mm	1190 625x710	1495 625x710	1800 625x710
Packing Dimensions WxHxD	mm	1470 900x1750	2060 900x1750	2060 900x1750
Working aperture	mm	250	250	250
Net Weight	kg	192	274	325
Gross Weight	kg	242	333	395
Noise level	dB(A)	<60	<60	<60
Electrical Supply		1Ph+E-230V 50Hz	1Ph+E-230V 50Hz	1Ph+E-230V 50Hz
Power	Kw	0,90	1,40	1,40

## OPTIONS AND ACCESSORIES

- UV lamp with aluminium night door closure for FlowFAST V 12/15/18
- Aluminium night door closure for FlowFAST V 12/15/18
- Epoxy painted base stand for FlowFAST V 12/15/18
- Epoxy painted base stand with castors for FlowFAST V 12/15/18
- Additional service connection for electric power
- Gas tap for FlowFAST V 12/15/18
- Vacuum tap for FlowFAST V 12/15/18
- Compressed air tap for FlowFAST V 12/15/18
- Nitrogen tap for FlowFAST V 12/15/18
- Automatic regulator with digital anemometer, factory fitted (automatic UV cycle)
- Digital Display for FlowFAST V 12/15/18 (manual UV cycle including UV Timer and Hour Counter)
- Differential pressure gauge (Magnehelic), factory fitted.



EN ISO 9001:2000 quality assured firm  
Certificate n°112



### Faster S.r.l.

Via R. Merendi, 22 20010 Cornaredo (MI) Italy  
Tel +39 02 93 991 92 Fax +39 02 93 991 608  
www.faster-air.com info@faster.dgroup.it

a D<sup>2</sup>GROUP company

## Labo Baza

nowoczesne wyposażenie laboratorium

ul. Topolowa 5  
62-002 Jelonek k/Poznania  
tel.: 061 812 57 45  
fax: 061 812 57 25  
e-mail: biuro@labobaza.pl  
[www.labobaza.pl](http://www.labobaza.pl)



Striving everyday to improve our environmental performance, Faster developed environmental procedures are founded on three guiding principles:

- Protect the Environment for present and future generations manufacturing low energy consumption equipments
- Reduce risks and improve efficiencies
- Introduce improved technology and processes